



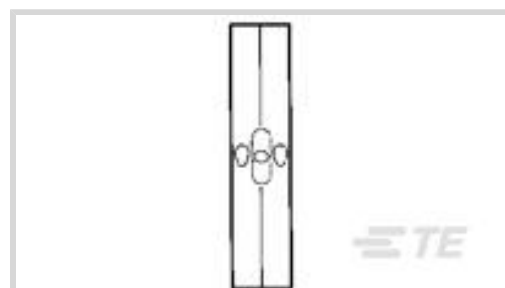
SOLISTRAND

TE Internal #: 2-324309-2

Splices, 6 AWG Wire Size, 13 – 15 mm² Wire Size, Sight Hole, .232 in [5.89 mm] Barrel Inside Diameter, 20800 – 33100 CMA Wire Size, Copper

[View on TE.com >](#)

Terminals & Splices > Splices

Wire Size: 13 – 15 mm²

Sealable: No

Splice Features: Sight Hole

Barrel Inside Diameter: 5.89 mm [.232 in]

Features

Product Type Features

Splice Accessory Type	Splice
Sealable	No
Splice Type	Butt Splice
Serrated	No
Compatible With Discrete Wire Type	Solid, Stranded
Wire Insulation Support Retention Type	Non-Insulation Support

Configuration Features

Compatible With Wire & Cable Type	Discrete Wire
-----------------------------------	---------------

Body Features

Weight per Piece	8.499 g
Plating Material	Silver
Splice Features	Sight Hole
Primary Product Material	Copper

Contact Features

	500 μin
Contact Plating Material	Silver
Barrel Type	Closed

Mechanical Attachment

Wire Insulation Support	Without
-------------------------	---------



Dimensions

Outside Diameter	9.37 mm[.369 in]
Wire Size	20800 – 33100 CMA
Barrel Inside Diameter	5.89 mm[.232 in]
Terminal Material Thickness	1.45 mm[.057 in]
Overall Product Length	25.78 mm[1.015 in]

Usage Conditions

High Temperature Rating	170 °C[338 °F]
Insulation Option	Uninsulated
Operating Temperature Range	170 °C[338 °F]

Operation/Application

Heavy Duty	No
Compatible With Wire Base Material	Copper

Industry Standards

Government Qualified Splice	No
-----------------------------	----

Packaging Features

Packaging Quantity	100
Packaging Method	Loose Piece

Other

Military Category	No
-------------------	----

Product Compliance

[For compliance documentation, visit the product page on TE.com>](#)

EU RoHS Directive 2011/65/EU	Compliant
EU ELV Directive 2000/53/EC	Compliant
China RoHS 2 Directive MIIT Order No 32, 2016	No Restricted Materials Above Threshold
EU REACH Regulation (EC) No. 1907/2006	Current ECHA Candidate List: JUNE 2022 (224) Candidate List Declared Against: JUNE 2022 (224) Does not contain REACH SVHC
Halogen Content	Low Halogen - Br, Cl, F, I < 900 ppm per homogenous material. Also BFR/CFR/PVC Free

Solder Process Capability

Not applicable for solder process capability

Product Compliance Disclaimer

This information is provided based on reasonable inquiry of our suppliers and represents our current actual knowledge based on the information they provided. This information is subject to change. The part numbers that TE has identified as EU RoHS compliant have a maximum concentration of 0.1% by weight in homogenous materials for lead, hexavalent chromium, mercury, PBB, PBDE, DBP, BBP, DEHP, DIBP, and 0.01% for cadmium, or qualify for an exemption to these limits as defined in the Annexes of Directive 2011/65/EU (RoHS2). Finished electrical and electronic equipment products will be CE marked as required by Directive 2011/65/EU. Components may not be CE marked. Additionally, the part numbers that TE has identified as EU ELV compliant have a maximum concentration of 0.1% by weight in homogenous materials for lead, hexavalent chromium, and mercury, and 0.01% for cadmium, or qualify for an exemption to these limits as defined in the Annexes of Directive 2000/53/EC (ELV). Regarding the REACH Regulation, the information TE provides on SVHC in articles for this part number is based on the latest European Chemicals Agency (ECHA) 'Guidance on requirements for substances in articles' posted at this URL: <https://echa.europa.eu/guidance-documents/guidance-on-reach>

Compatible Parts



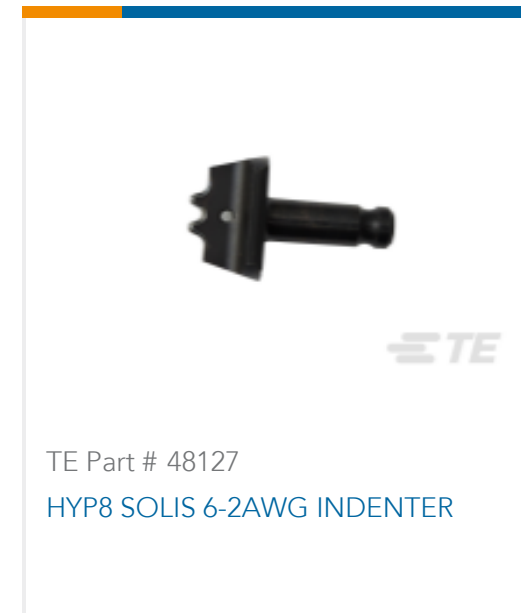
TE Part # 1490414-2
HYP10 SOLIS HD 6-4AWG INDENTER



TE Part # 601075
BANTAM ROTA-CRIMP TOOL



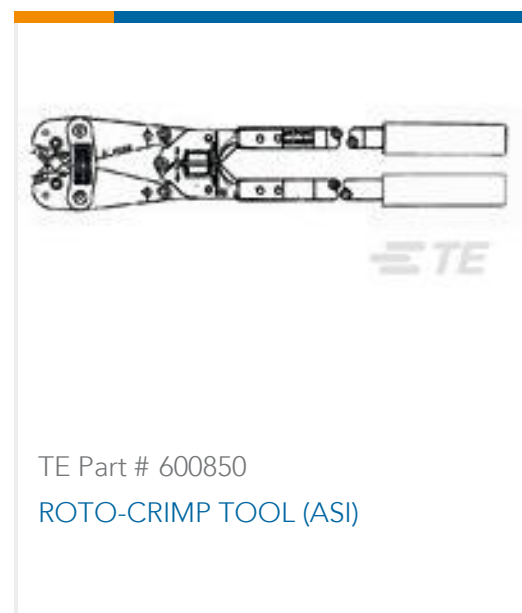
TE Part # 69217
HYP8/10 SOLIS 6AWG DIE SET



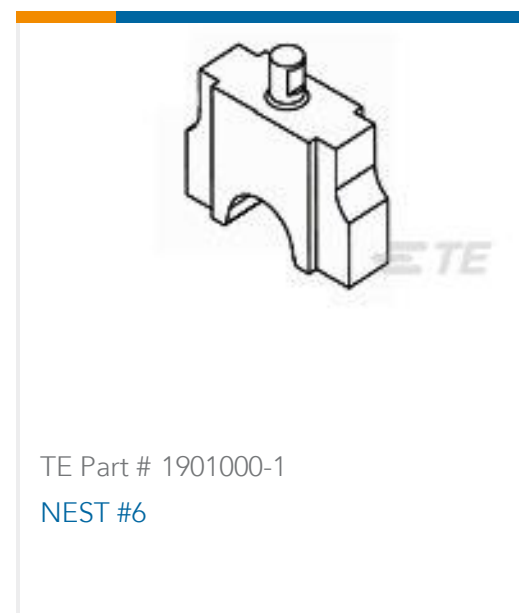
TE Part # 48127
HYP8 SOLIS 6-2AWG INDENTER



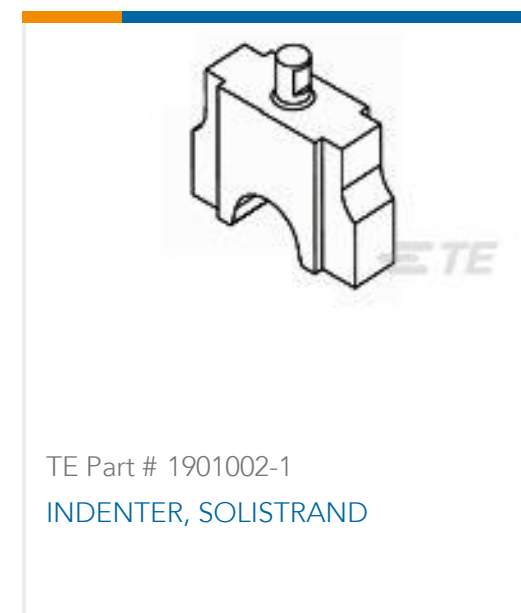
TE Part # 1490413-2
HYP10 SOLIS HD 8AWG NEST



TE Part # 600850
ROTO-CRIMP TOOL (ASI)



TE Part # 1901000-1
NEST #6



TE Part # 1901002-1
INDENTER, SOLISTRAND



TE Part # 48128
HYP8 SOLIS 6AWG NEST



TE Part # 68136
PNEU HT SOLIS 6 ASSY

Documents

Product Drawings
SPLICE,SOLIS BUTT 6
English



CAD Files

3D PDF

3D

Customer View Model

[ENG_CVM_CVM_2-324309-2_S.2d_dxf.zip](#)

English

Customer View Model

[ENG_CVM_CVM_2-324309-2_S.3d_igs.zip](#)

English

Customer View Model

[ENG_CVM_CVM_2-324309-2_S.3d_stp.zip](#)

English

By downloading the CAD file I accept and agree to the [Terms and Conditions](#) of use.

Agency Approvals

UL Report

English